

# PS2-4000 CS-F32-20-2

## Solar Surface Pump System

### System Overview

Head	max. 30 m
Flow rate	max. 42 m³/h

### Technical Data

#### Controller PS2-4000

- Controlling and monitoring
- Control inputs for dry running protection, remote control etc.
- Protected against reverse polarity, overload and overtemperature
- Integrated MPPT (Maximum Power Point Tracking)
- Integrated Sun Sensor

Power	max. 4,0 kW
Input voltage	max. 375 V
Optimum Vmp**	> 238 V
Motor current	max. 14 A
Efficiency	max. 98 %
Ambient temp.	-40...50 °C
Enclosure class	IP68

#### Motor ECDRIVE 4000 CS-F

- Maintenance-free brushless DC motor
- Premium materials, stainless steel: AL/AISI 304

Rated power	4,0 kW
Efficiency	max. 92 %
Motor speed	900...3.300 rpm
Insulation class	F
Enclosure class	IPX4

#### Pump End PE CS-F32-20-2

- Premium materials
- Optional: dry running protection
- Centrifugal pump



#### Pump Unit PU4000 CS-F32-20-2 (Motor, Pump End)

Water temperature	max. 70 °C
Suction head	acc. to COMPASS sizing

### Standards



2006/42/EC, 2004/108/EC, 2006/95/EC

IEC/EN 61702:1995

The logos shown reflect the approvals that have been granted for this product family. Products are ordered and supplied with the approvals specific to the market requirements.

\*\*Vmp: MPP-voltage under Standard Test Conditions (STC): 1000 W/m² solar irradiance, 25 °C cell temperature

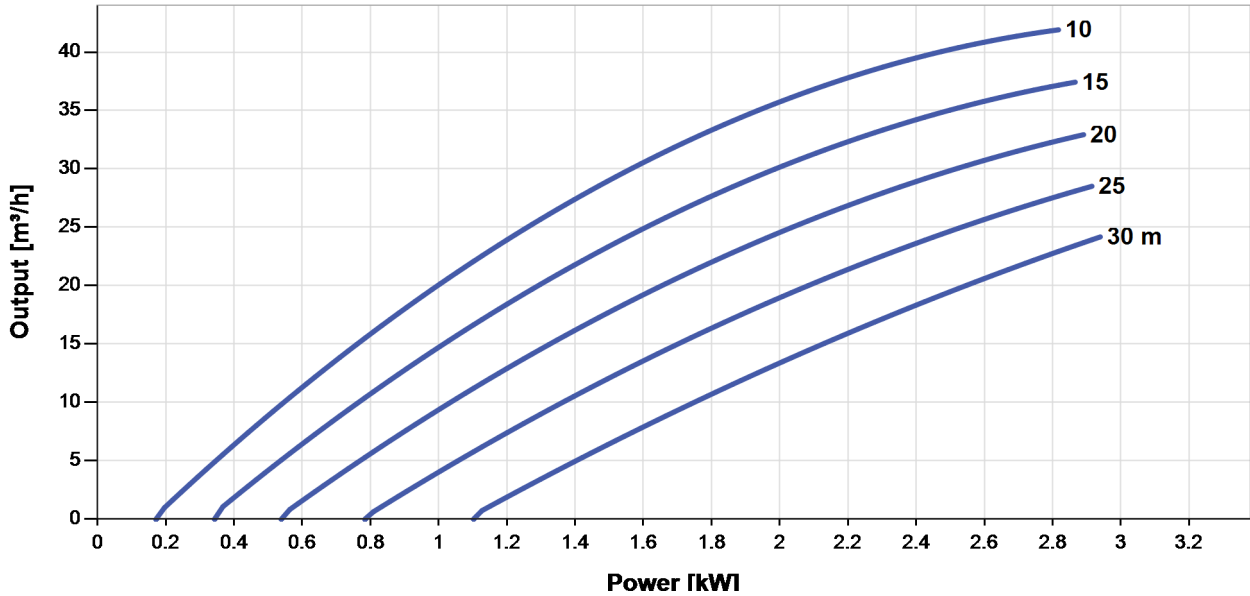


# PS2-4000 CS-F32-20-2

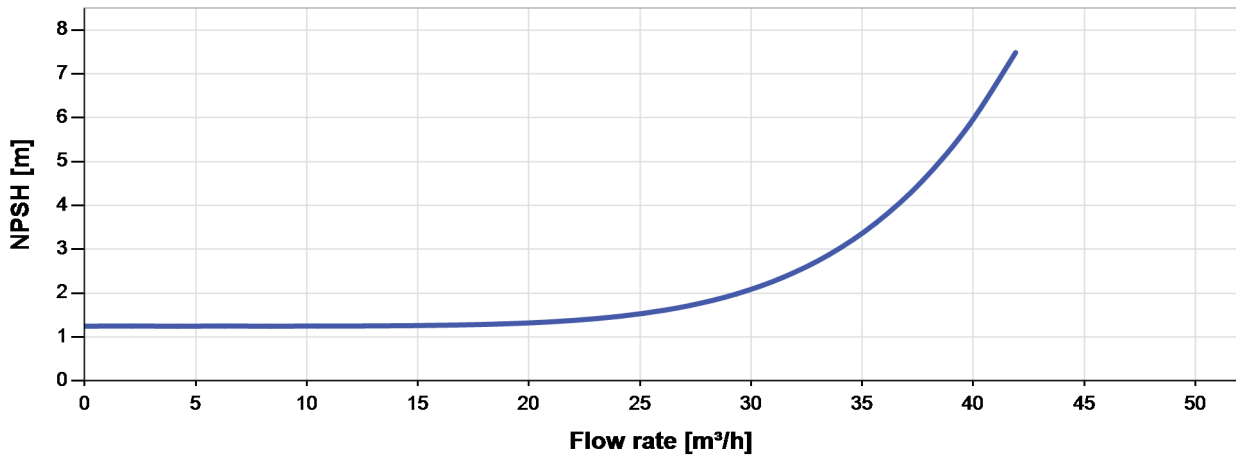
## Solar Surface Pump System

### Pump Chart

Vmp\* > 238 V



### NPSH



The NPSH (Net Positive Suction Head) is NOT the operating suction head. To calculate the operating suction head please refer to the installation manual.

\*Vmp: MPP-voltage under Standard Test Conditions (STC): 1000 W/m² solar irradiance, 25 °C cell temperature



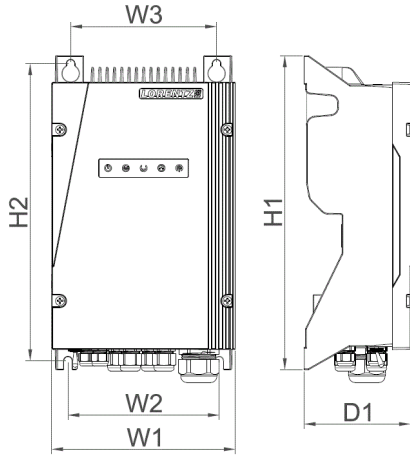
# PS2-4000 CS-F32-20-2

## Solar Surface Pump System

### Dimensions and Weights

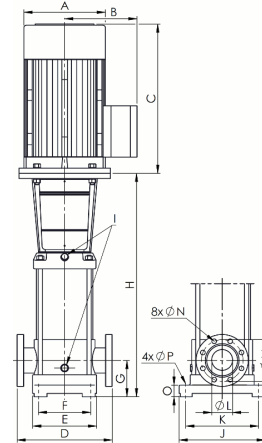
#### Controller

H1 = 352 mm  
 H2 = 333 mm  
 W1 = 207 mm  
 W2 = 170 mm  
 W3 = 164 mm  
 D1 = 124 mm



#### Pump Unit

A = 162 mm  
 B = 132 mm  
 C = 286 mm  
 D = 320 mm  
 E = 225 mm  
 F = 170 mm  
 G = 105 mm  
 H = 575 mm  
 I = G1/2"  
 J = 298 mm  
 K = 240 mm  
 L = 74 mm  
 M = 145 mm  
 N = 18 mm  
 O = 30 mm  
 P = 14 mm



	Net weight
Controller	6,1 kg
Pump Unit	63 kg
Motor	15 kg
Pump End	48 kg

